

Stephan Dahlmann

Mechanik und Antriebstechnik GmbH

Beuler Höhe 11, 45525 Hattingen (Germany)

Tel. +49 (0) 2324 55515

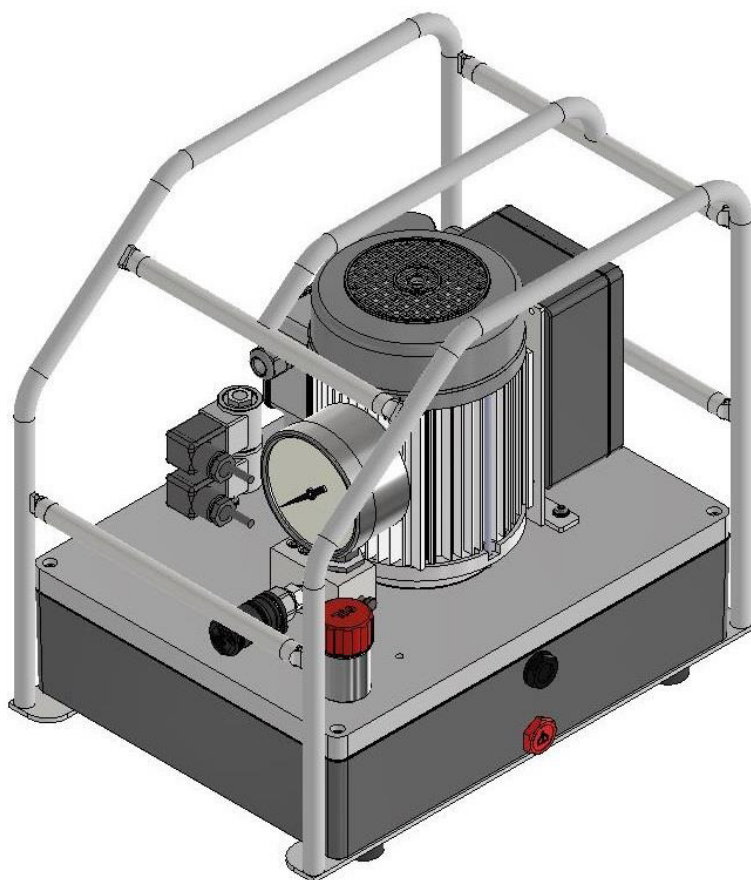
Fax +49 (0) 2324 53885

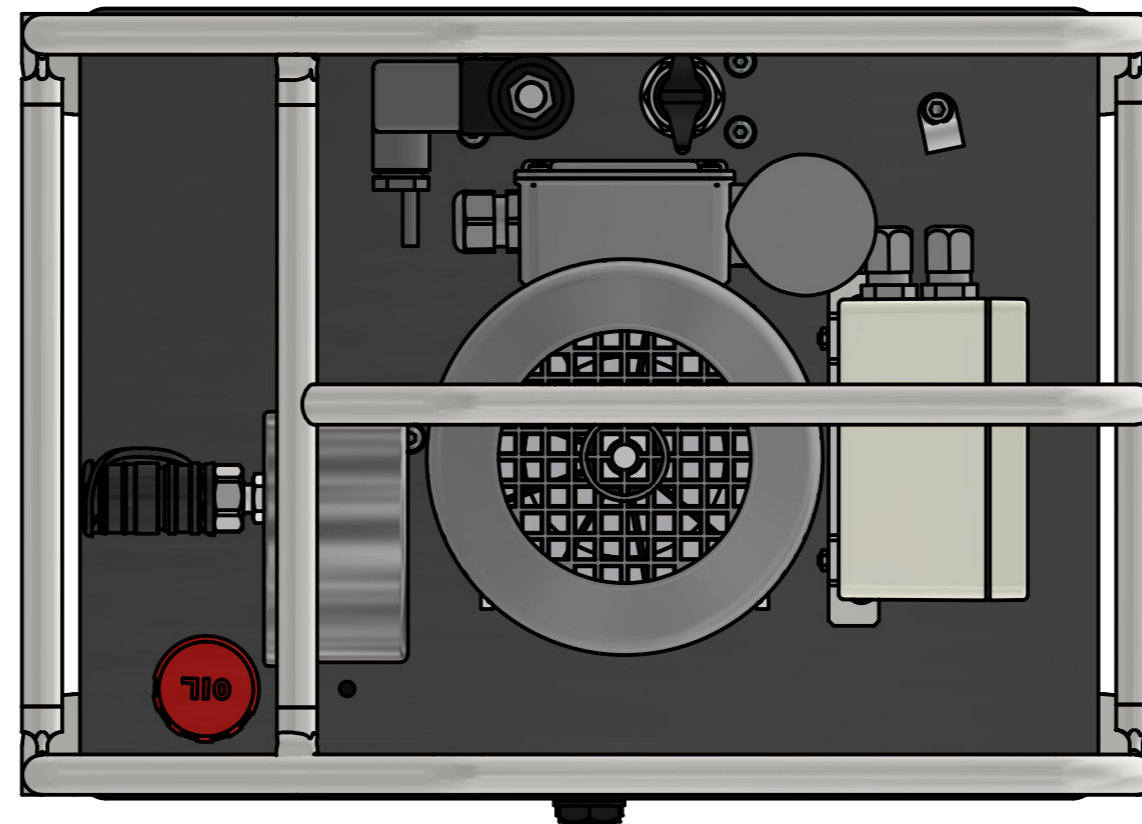
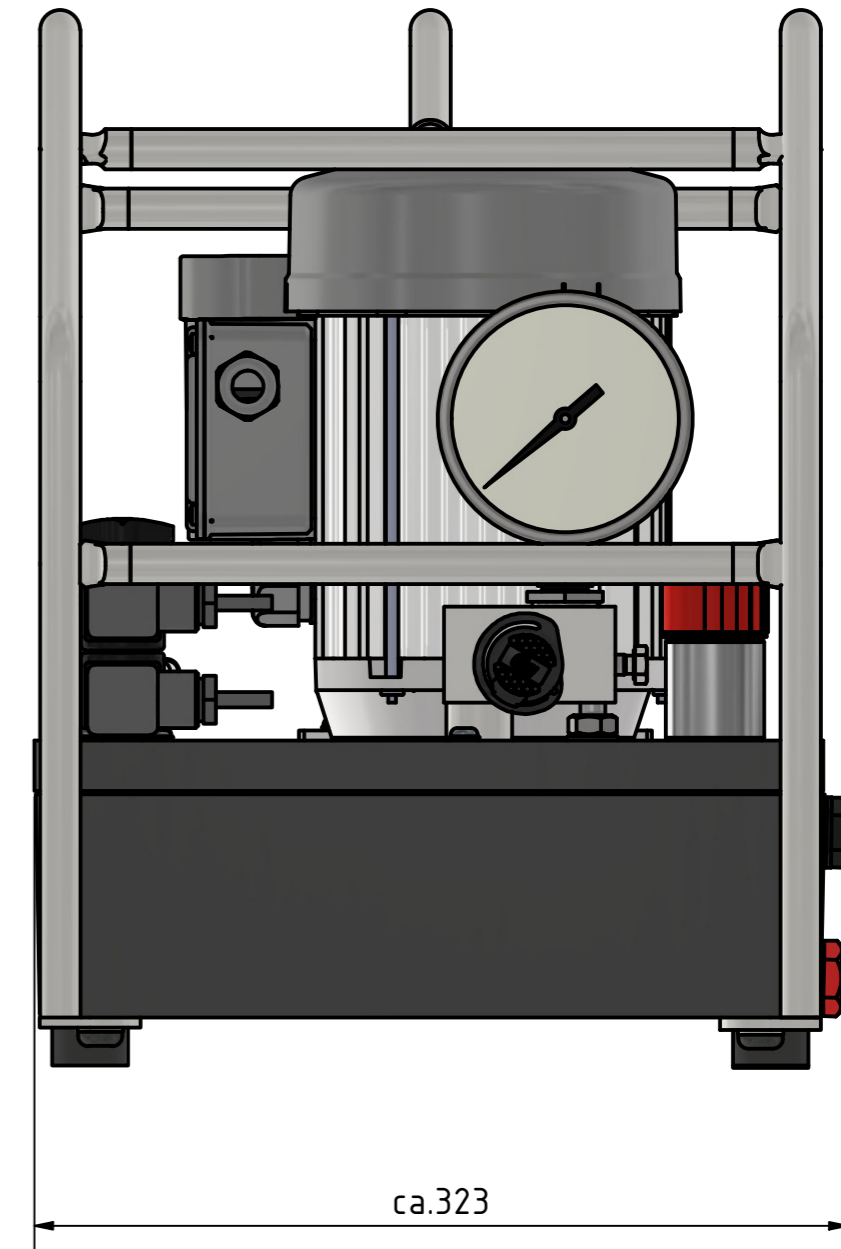
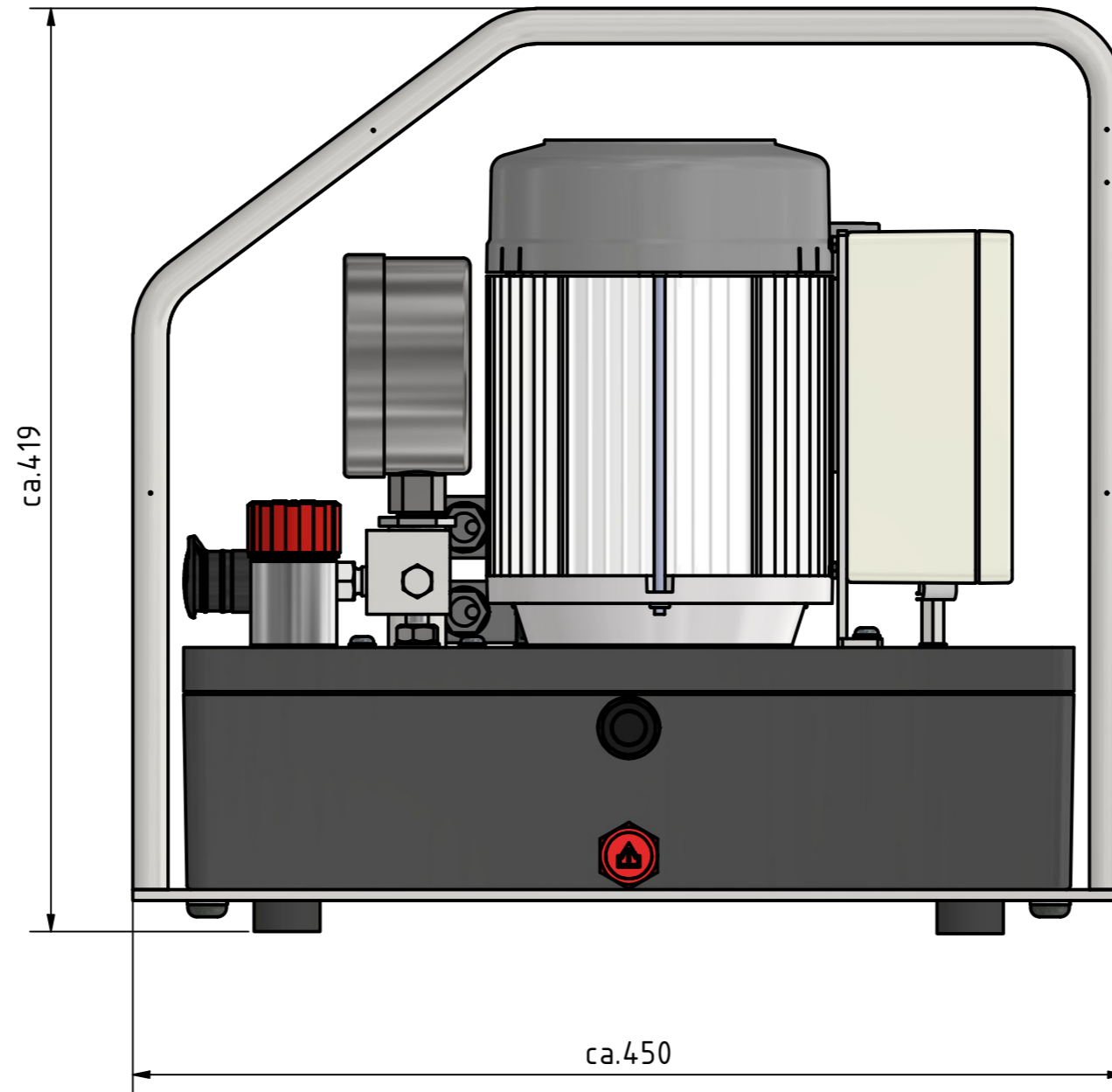
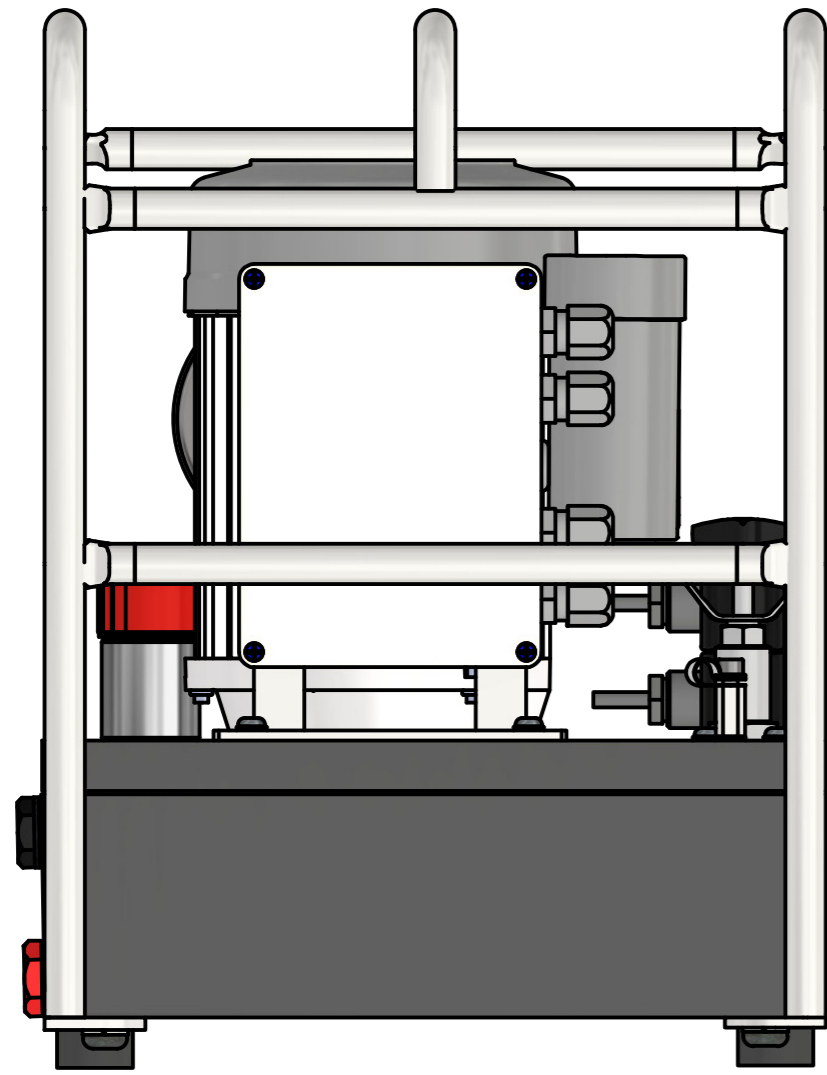
info@stephandahlmann.de

www.stephandahlmann.com

Spare Parts / Ersatzteilliste Hydraulic Pump / Hydraulikpumpe HDF1500-xxxx-230V-1P-FF

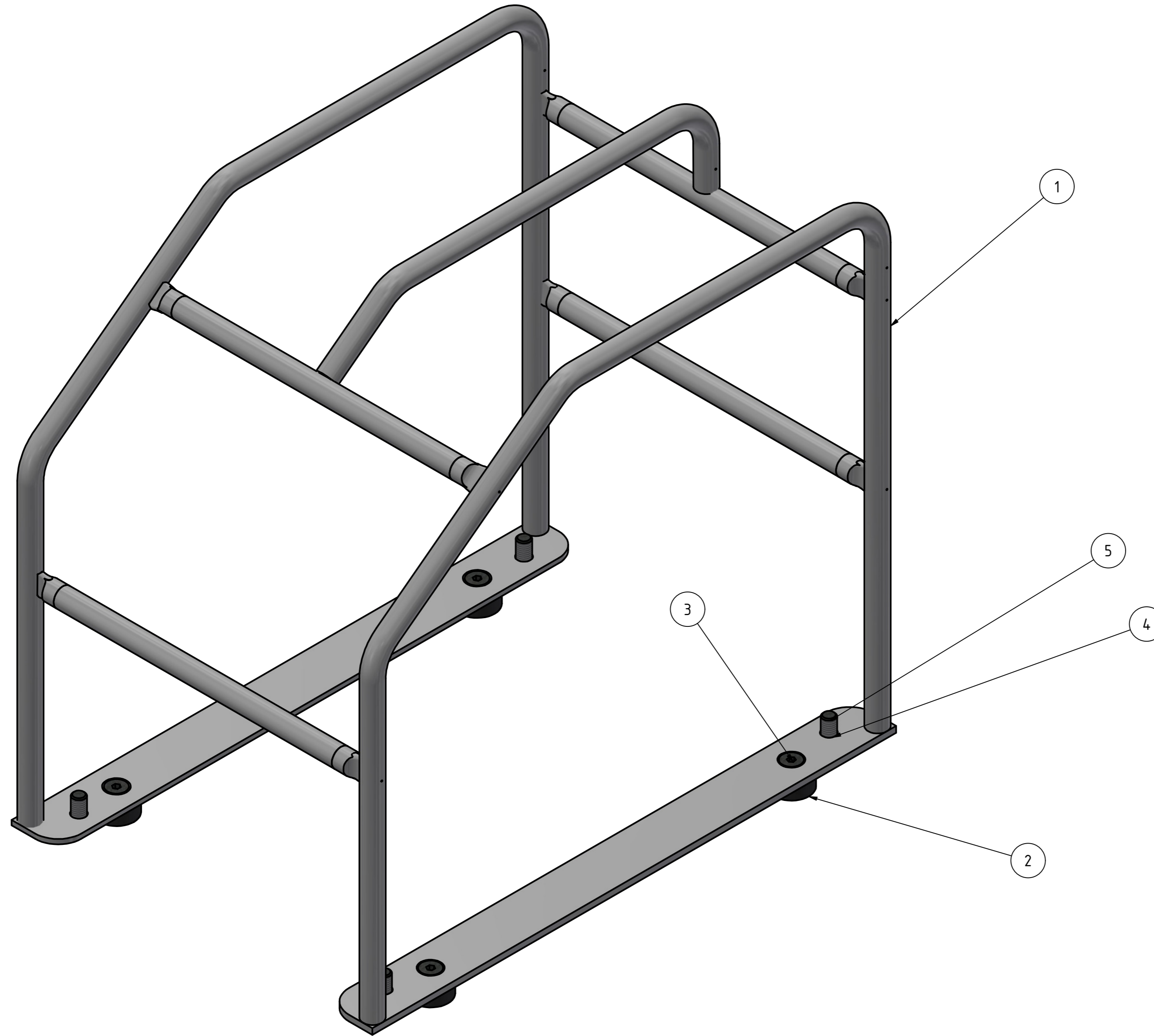
Stand: 11.11.24 Rev.01





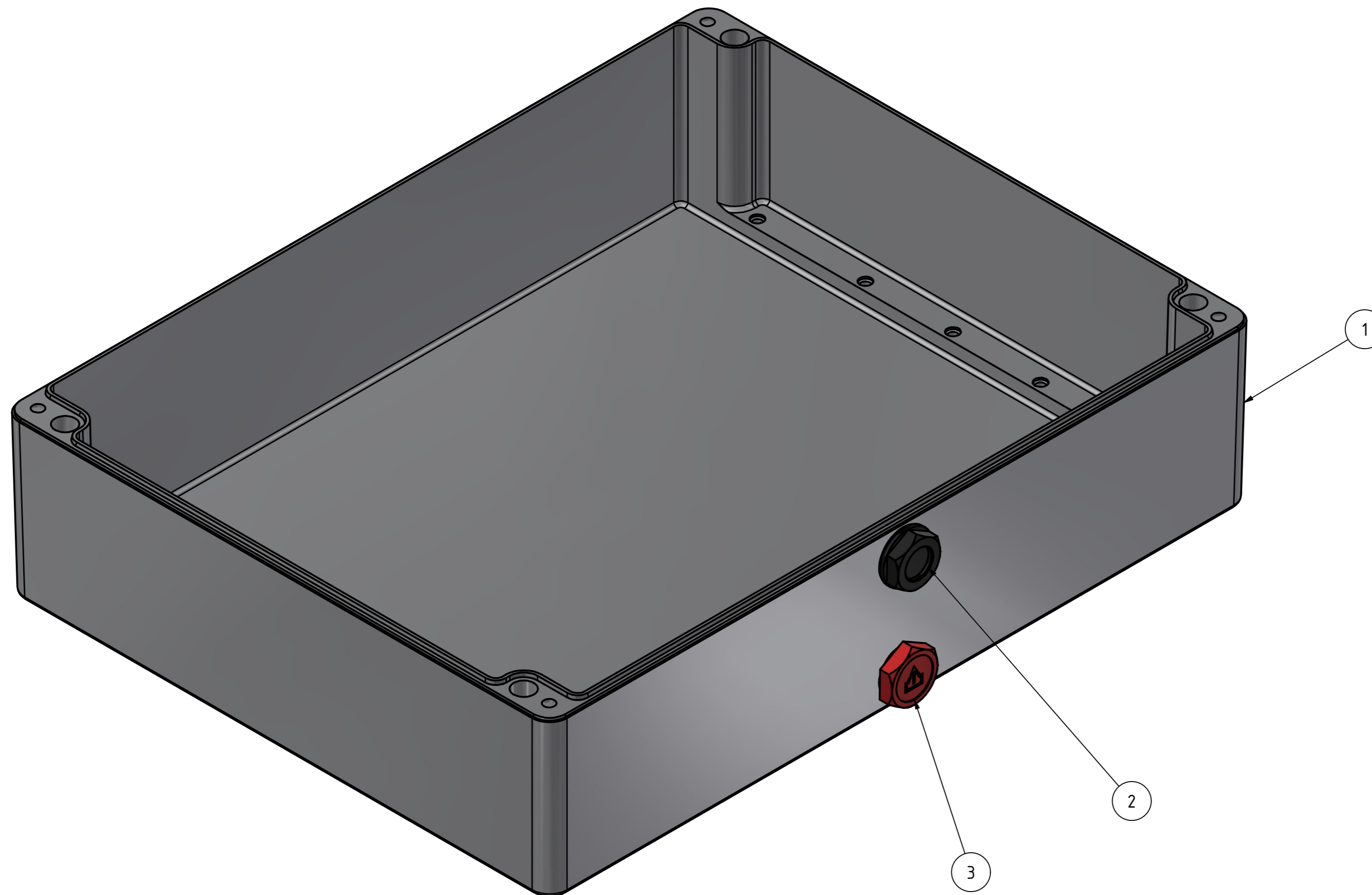
HDF1500/2000/2500-xxxx-230V-1P-FF
Stand: 01.08.22 Rev.02

| BAUTEILLISTE/PARTLIST | | | | | |
|-----------------------|--------|---------------|--|-------------|----------|
| OBJEKT | ANZAHL | BAUTEILNUMMER | BESCHREIBUNG | Part-Text | Material |
| 1 | 1 | 21307 | Schutzrahmen HDF | frame HDF | steel |
| 2 | 4 | 20847 | Gummipuffer 30-15-M8-l/0 | rubberfeet | rubber |
| 3 | 4 | 20438 | SK-Schraube mit IS ISO10642- M8x12 | scew | steel |
| 4 | 4 | 10176 | Federring DIN127-B10 | spring ring | steel |
| 5 | 4 | 21251 | LK-Schraube mit IS ISO7380-1-M10x20 (70Nm) | scew | steel |

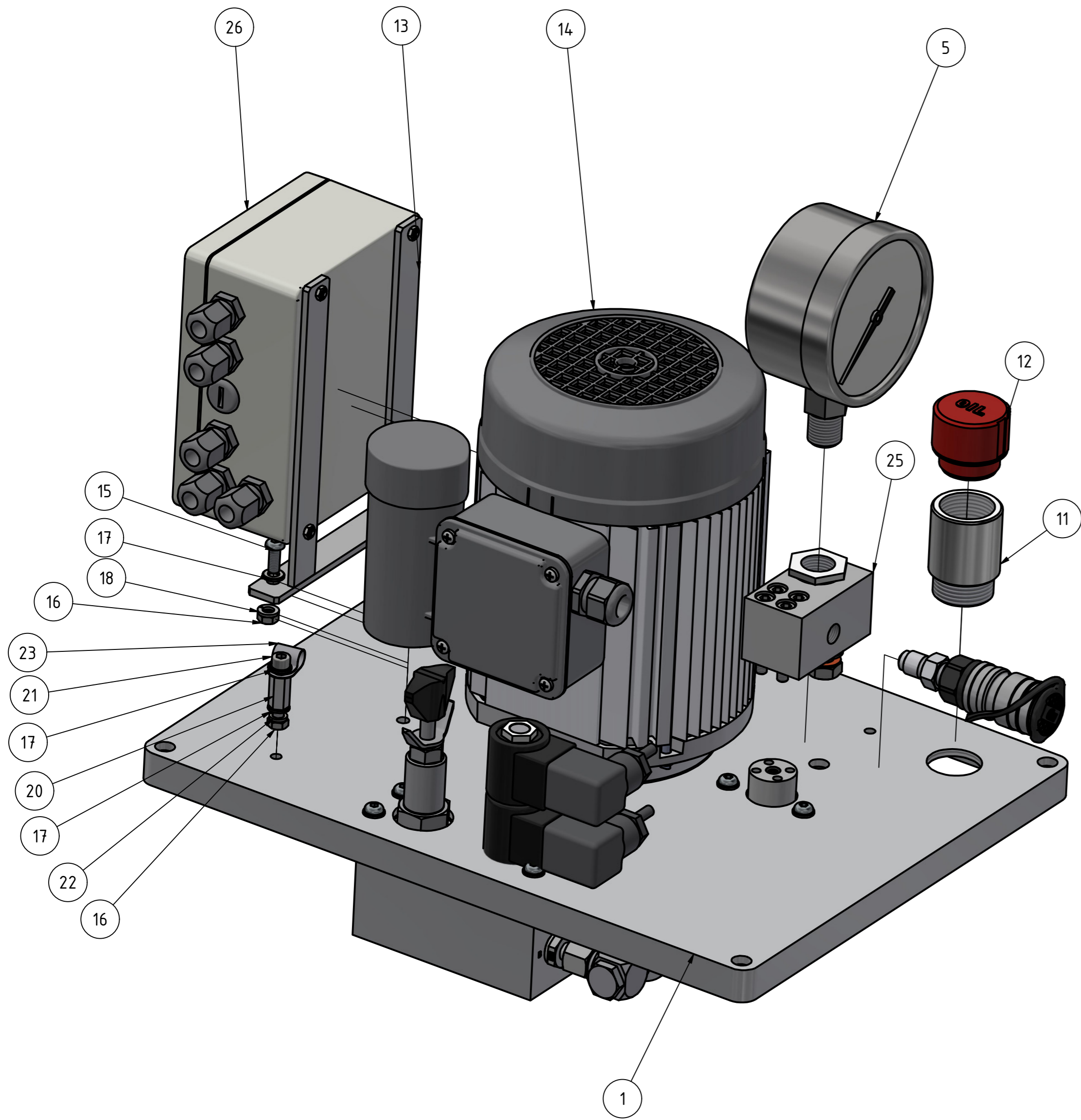


HDF1500/2000/2500-FF
Rahmen
frame
Stand: 01.08.22 Rev.01

| BAUTEILLISTE / PARTLIST | | | | | |
|-------------------------|--------|---------------|------------------------------|----------------------------|----------|
| OBJEKT | ANZAHL | BAUTEILNUMMER | BESCHREIBUNG | Part-Text | Material |
| 1 | 1 | 21295 | Öltank HDF (Behälter+Deckel) | Oil Tank HDF (boddy+cover) | alu |
| 2 | 1 | 20331 | Ölschauglas 1/2"(7Nm) | Oil sight glass (7Nm) | plastic |
| 3 | 1 | 20053 | Ölablassschraube G1/2" (7Nm) | Oil drain scew (7Nm) | plastic |

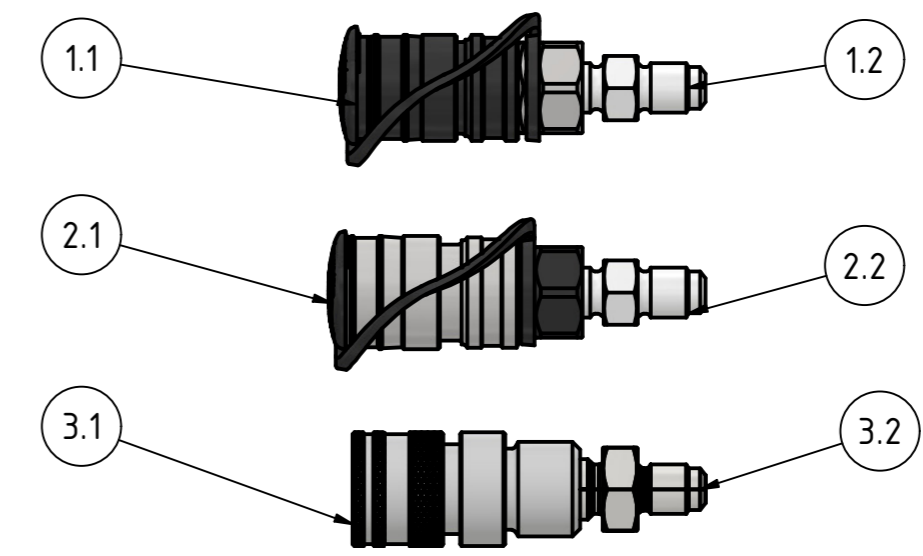


HDF1500/2000/2500
Oil Tank
Öl Tank
Stand: 28.07.22 Rev.02

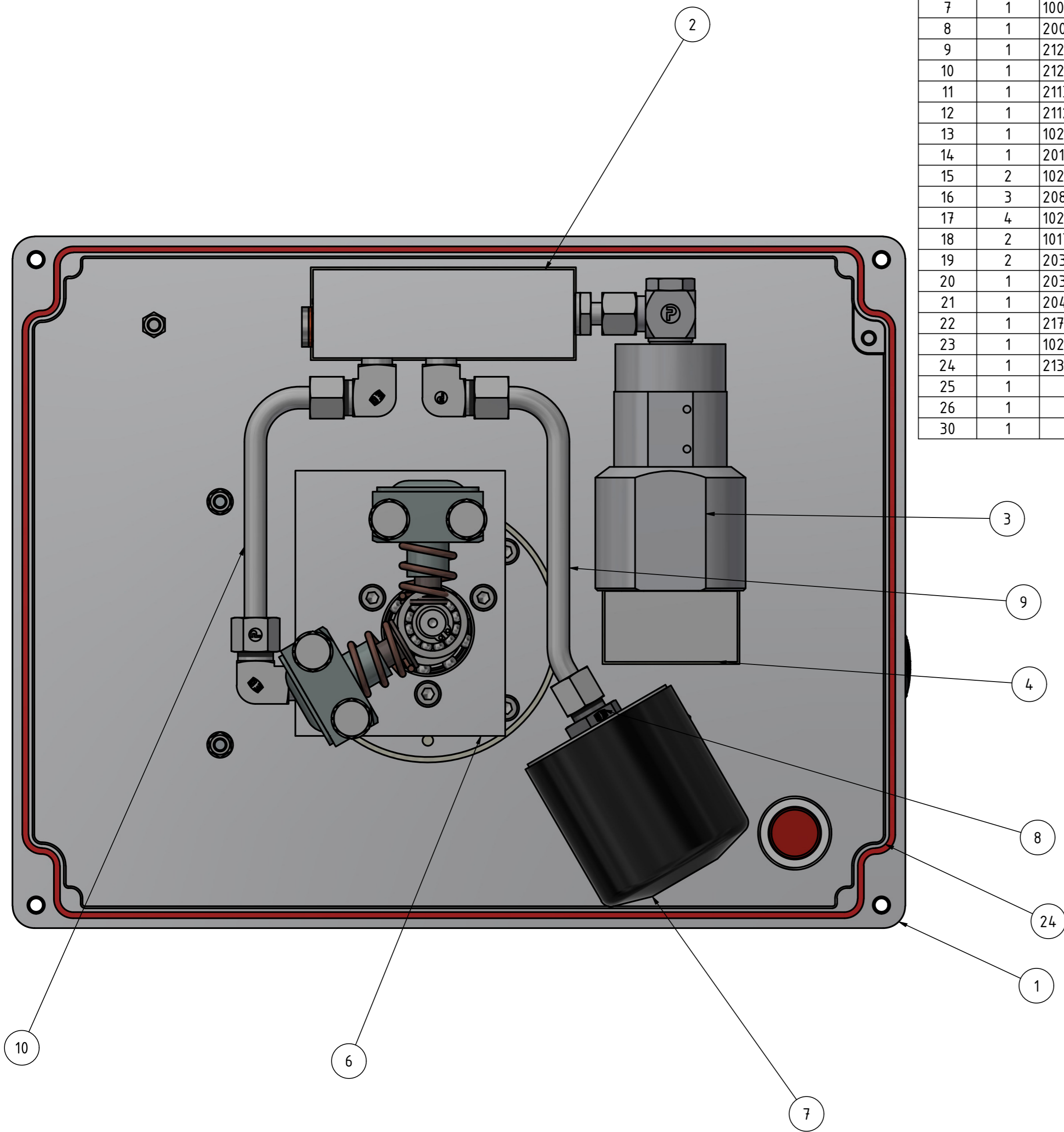


| BAUTEILLISTE/PARTLIST | | | | | |
|-----------------------|--------|---------------|--|---------------------------------|--------------|
| OBJEKT | ANZAHL | BAUTEILNUMMER | BESCHREIBUNG | Part-Text | Material |
| 1 | 1 | 21925 | Öltank HDF (Behälter+Deckel) | Oil Tank HDF (boddy+cover) | alu |
| 2 | 1 | | BG Ventilblock HDF 230V | manifolds HDF2000-230V | |
| 3 | 1 | 21623 | Druckübersetzer 7,6 | booster 7,6 | steel |
| 4 | 1 | | BG Anschlussplatte Druckverstärker | module connection plate booster | steel |
| 5 | 1 | 21852+21568 | Mano AF 100-2000bar-G1/2 | gauge AF 100-2000bar-G1/2 | steel/glyc |
| 6 | 1 | | BG HDF2000-230 Pumpe | module HDF2000-230 pump | div |
| 7 | 1 | 10095 | Ölfilter OC90 | oil filter | steel |
| 8 | 1 | 20037 | GE10LM18X1,5 (30Nm) | connector | steel |
| 9 | 1 | 21297 | Rohr 1 HDF | pipe 1 HDF | steel |
| 10 | 1 | 21296 | Rohr 2 HDF | pipe 2 HDF | steel |
| 11 | 1 | 21132 | Verlängerung 1x40 | tap extension | steel |
| 12 | 1 | 21123 | Entlüftungsschraube 1" | bolt | plastic |
| 13 | 1 | 10219 | Halter E-Box HE025-230V | angle E-Box HE025-230V | steel |
| 14 | 1 | 20154 | E-Motor 80K2-230V-0,75KW | electric motor | div |
| 15 | 2 | 10211 | LK-Schraube mit IS ISO7380-M6x16(14Nm) | screw | steel |
| 16 | 3 | 20881 | Sechskantmutter DIN934-M6 (10Nm) | nut | steel |
| 17 | 4 | 10222 | Scheibe DIN125-1-B 6,4 | washer | steel |
| 18 | 2 | 10178 | Federring DIN 127-A6 | spring ring | steel |
| 19 | 2 | 20304 | Rechteck-Ventilstecker | plug | electrical |
| 20 | 1 | 20350 | Abstandsbolzen M6 Type B (4Nm) | space bolt | steel |
| 21 | 1 | 20446 | IS-schraube ISO4762-M6x16(10Nm) | screw | steel |
| 22 | 1 | 21766 | DIN7980-B6 Federring | spring ring | steel |
| 23 | 1 | 10233 | Schelle 9mm | clamp | steel/rubber |
| 24 | 1 | 21390 | HDF Deckel Dichtung | cover seal HDF | rubber |
| 25 | 1 | | BG Anschlussblock HDF 1-1 | module connection block HDF 1-1 | steel |
| 26 | 1 | | BG E-Box HDF-230V | module electric box HDF | electrical |
| 30 | 1 | | BG Kupplung Cejn 125 | module coupling Cejn 125 | steel |

| Kupplungs Varianten / coupling variants | | | | | |
|---|--------|---------------|----------------------|--------------------------|----------|
| OBJEKT | ANZAHL | BAUTEILNUMMER | BESCHREIBUNG | Part-Text | Material |
| 1 | 1 | | BG Kupplung Cejn 116 | module coupling Cejn 116 | steel |
| 1.1 | 1 | 20139 | Kupplung Cejn 116 | coupling Cejn 116 | steel |
| 1.2 | 1 | 20115 | Hochdruckadapter | high pressure adapter | steel |
| 2 | 1 | | BG Kupplung Cejn 125 | module coupling Cejn 125 | steel |
| 2.1 | 1 | 20140 | Kupplung Cejn 125 | coupling Cejn 125 | steel |
| 2.2 | 1 | 20115 | Hochdruckadapter | high pressure adapter | steel |
| 3 | 1 | | BG Kupplung Cejn 135 | module coupling Cejn 135 | steel |
| 3.1 | 1 | 20955 | Kupplung Cejn 135 | coupling Cejn 135 | steel |
| 3.2 | 1 | 20954 | Hochdruckadapter | high pressure adapter | steel |

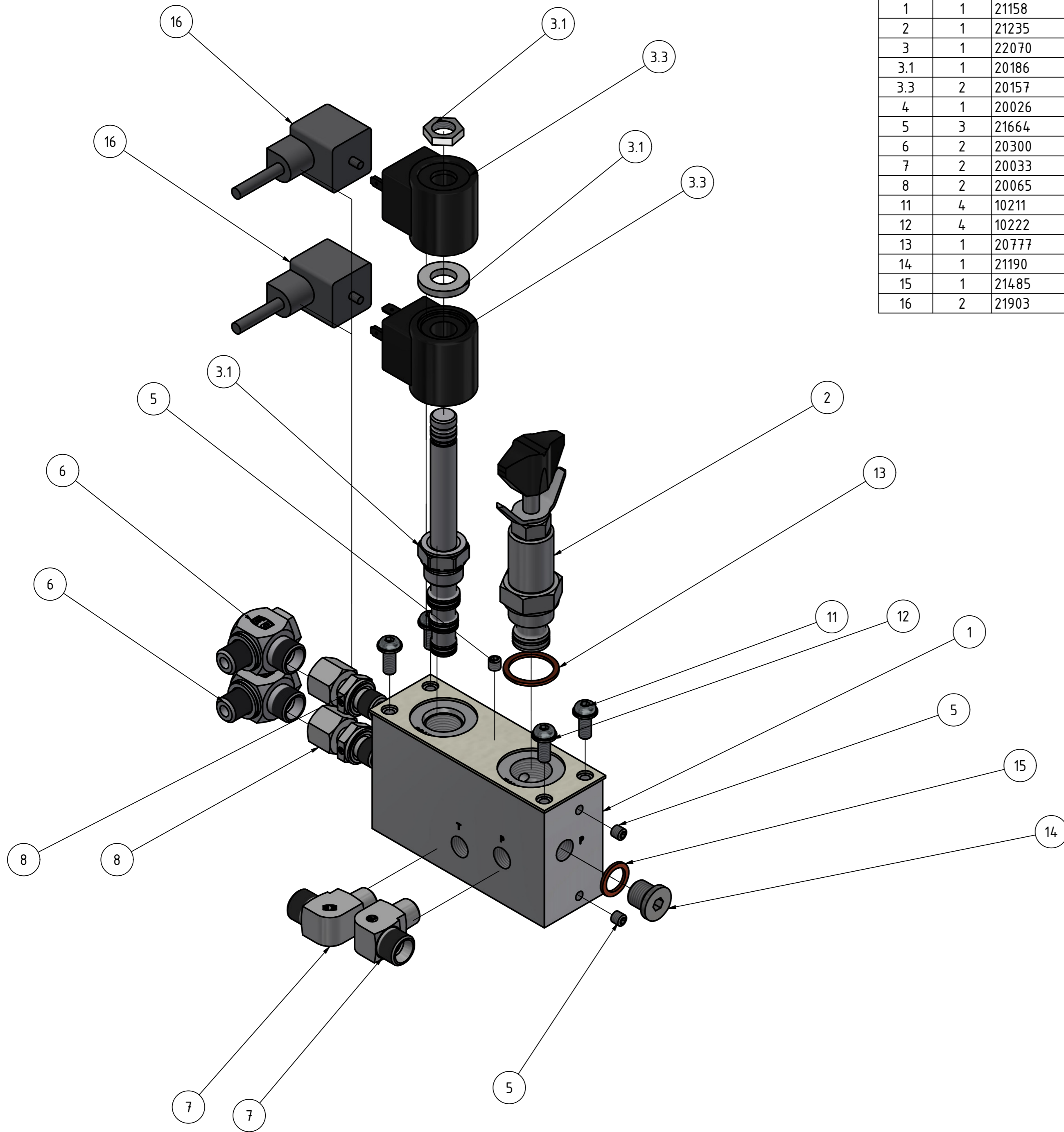


HDF1500-230V
Stand: 11.11.2024 Rev.01



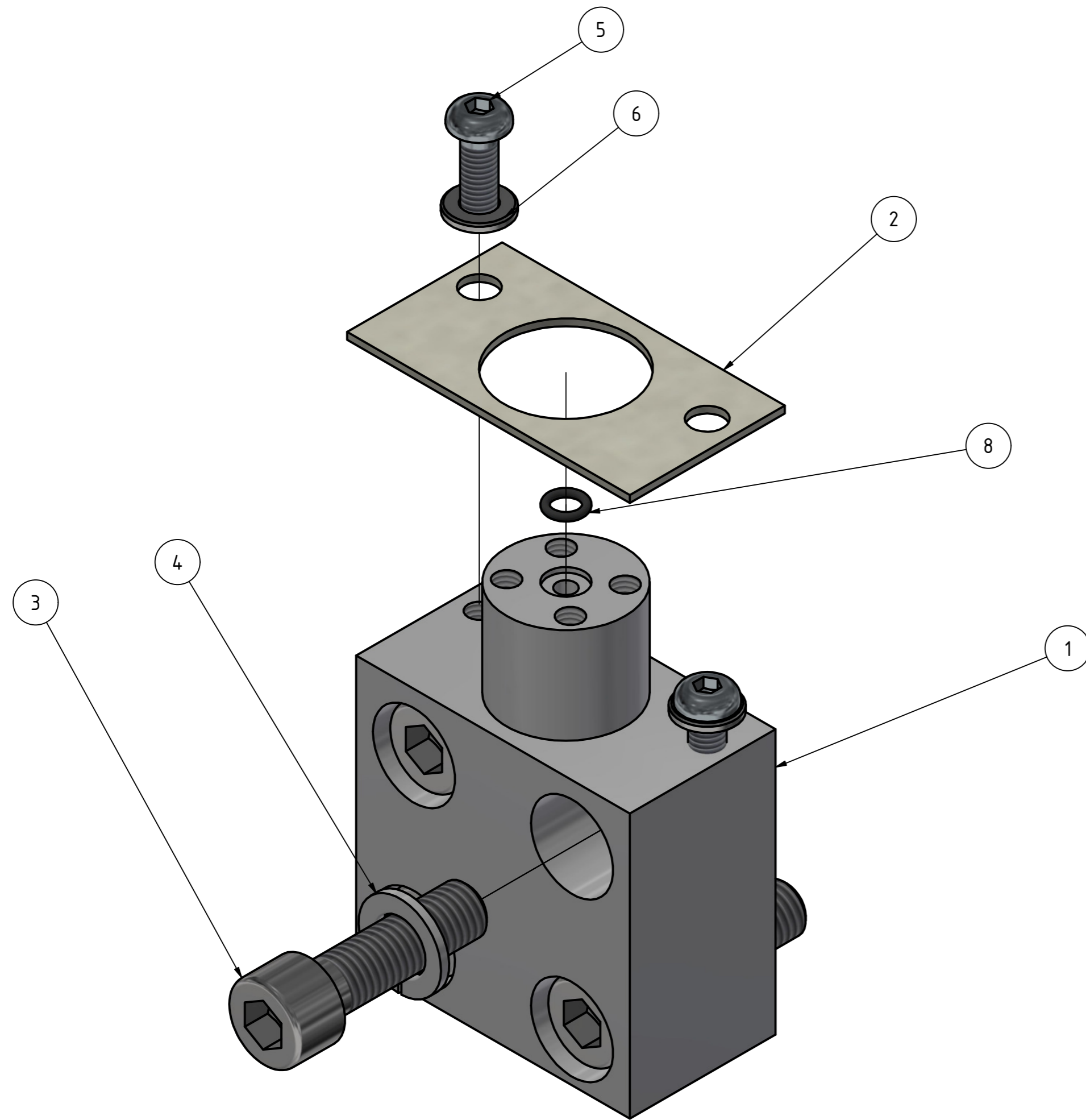
| BAUTEILLISTE/PARTLIST | | | | | |
|-----------------------|--------|---------------|--|---------------------------------|--------------|
| OBJEKT | ANZAHL | BAUTEILNUMMER | BESCHREIBUNG | Part-Text | Material |
| 1 | 1 | 21925 | Öltank HDF (Behälter+Deckel) | Oil Tank HDF (boddy+cover) | alu |
| 2 | 1 | | BG Ventilblock HDF 230V | manifolds HDF2000-230V | |
| 3 | 1 | 21623 | Druckübersetzer 7,6 | booster 7,6 | steel |
| 4 | 1 | | BG Anschlussplatte Druckverstärker | module connection plate booster | steel |
| 5 | 1 | 21852+21568 | Mano AF 100-2000bar-G1/2 | gauge AF 100-2000bar-G1/2 | steel/glyc |
| 6 | 1 | | BG HDF2000-230 Pumpe | module HDF2000-230 pump | div |
| 7 | 1 | 10095 | Ölfilter OC90 | oil filter | steel |
| 8 | 1 | 20037 | GE10LM18X1,5 (30Nm) | connector | steel |
| 9 | 1 | 21297 | Rohr 1 HDF | pipe 1 HDF | steel |
| 10 | 1 | 21296 | Rohr 2 HDF | pipe 2 HDF | steel |
| 11 | 1 | 21132 | Verlängerung 1x40 | tap extension | steel |
| 12 | 1 | 21123 | Entlüftungsschraube 1" | bolt | plastic |
| 13 | 1 | 10219 | Halter E-Box HE025-230V | angle E-Box HE025-230V | steel |
| 14 | 1 | 20154 | E-Motor 80K2-230V-0,75KW | electric motor | div |
| 15 | 2 | 10211 | LK-Schraube mit IS ISO7380-M6x16(14Nm) | scew | steel |
| 16 | 3 | 20881 | Sechskantmutter DIN934-M6 (10Nm) | nut | steel |
| 17 | 4 | 10222 | Scheibe DIN125-1-B 6,4 | washer | steel |
| 18 | 2 | 10178 | Federring DIN 127-A6 | spring ring | steel |
| 19 | 2 | 20304 | Rechteck-Ventilstecker | plug | electrical |
| 20 | 1 | 20350 | Abstandsbolzen M6 Type B (4Nm) | space bolt | steel |
| 21 | 1 | 20446 | IS-schraube ISO4762-M6x16(10Nm) | scew | steel |
| 22 | 1 | 21766 | DIN7980-B6 Federring | spring ring | steel |
| 23 | 1 | 10233 | Schelle 9mm | clamp | steel/rubber |
| 24 | 1 | 21390 | HDF Deckel Dichtung | cover seal HDF | rubber |
| 25 | 1 | | BG Anschlussblock HDF 1-1 | module connection block HDF 1-1 | steel |
| 26 | 1 | | BG E-Box HDF-230V | module electric box HDF | electrical |
| 30 | 1 | | BG Kupplung Cejn 125 | module coupling Cejn 125 | steel |

HDF1500-230V
Stand: 11.11.24 Rev.01



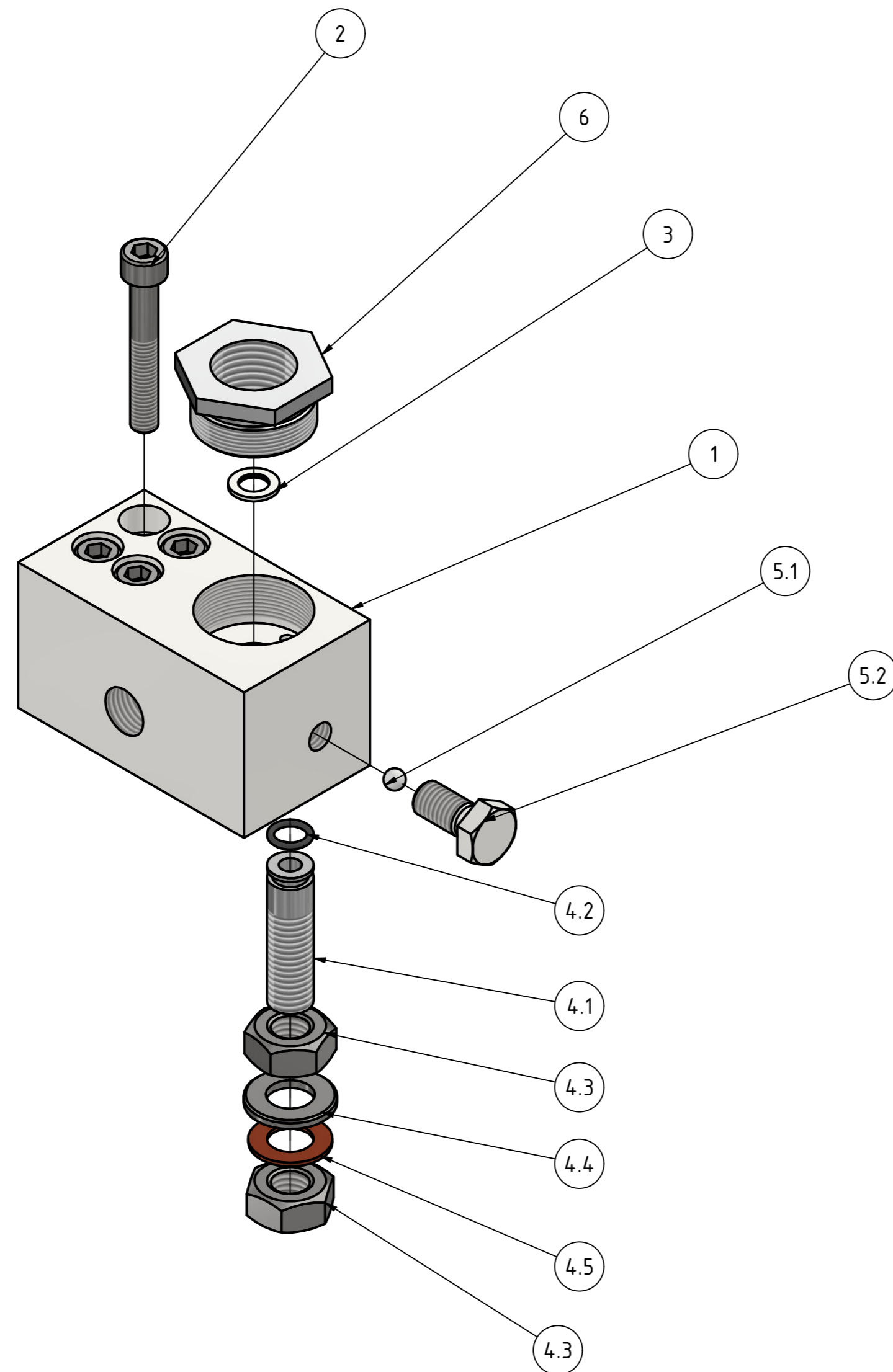
| BAUTEILLISTE/PARTLIST | | | | | |
|-----------------------|--------|---------------|--|---------------------------|------------|
| OBJEKT | ANZAHL | BAUTEILNUMMER | BESCHREIBUNG | Part-Text | Material |
| 1 | 1 | 21158 | Ventilblock HDF 43WV+DBV | valve block HDF | alu |
| 2 | 1 | 21235 | MVE 4 AR-2000 Druckstellventil (80Nm) | Press. Adjst Valve (80Nm) | div |
| 3 | 1 | 22070 | 4/3-WegeVentil 230V | solenoid valve 230V | electrical |
| 3.1 | 1 | 20186 | 4/3 Wegeventil ohne Spule | valve 230V | steel |
| 3.3 | 2 | 20157 | Magnetspule 230V für SV08 | solenoid 230V | electrical |
| 4 | 1 | 20026 | Pappdichtung HDF Ventilblock | seal | cardboard |
| 5 | 3 | 21664 | Gewindestift DIN906-M6x6 kegel | screw | steel |
| 6 | 2 | 20300 | WH10LRKDSOMDCF (45Nm) | screw connection | steel |
| 7 | 2 | 20033 | WE10LRCFX (2-3 Umdr.) | screw connection | steel |
| 8 | 2 | 20065 | EVGE10LREDCF Verschr. (35Nm) | screw connection | steel |
| 11 | 4 | 10211 | LK-Schraube mit IS ISO7380-M6x16(14Nm) | screw | steel |
| 12 | 4 | 10222 | Scheibe DIN125-1-B 6,4 | washer | steel |
| 13 | 1 | 20777 | Dichtring 22x27x1,5-CU | sealing ring | copper |
| 14 | 1 | 21190 | Verschlußschraube DIN908-G1/4A | thread plug | steel |
| 15 | 1 | 21485 | DR 13x18x1,5-CU | sealing ring | copper |
| 16 | 2 | 21903 | Ventilstecker mit Kabel 47 | plug with cable 47 | electrical |

HDF1500/2000/2500-230
 manifolds 230V
 Ventilblock 230V
 Stand: 28.07.22 Rev.02



| BAUTEILLISTE/PARTLIST | | | | | |
|-----------------------|--------|---------------|--|--------------------------|-----------|
| OBJEKT | ANZAHL | BAUTEILNUMMER | BESCHREIBUNG | Part-Text | Material |
| 1 | 1 | 21757 | Anschlussplatte Druckverst. | connection plate booster | alu |
| 2 | 1 | 21053 | Dichtung Anchl.pl. DV | seal | cardboard |
| 3 | 4 | 21616 | IS-Schraube ISO4762-M10x35 (50Nm) | scew | steel |
| 4 | 4 | 10176 | Federring DIN127-B10 | spring ring | steel |
| 5 | 2 | 10211 | LK-Schraube mit IS ISO7380-M6x16(14Nm) | scew | steel |
| 6 | 2 | 10222 | Scheibe DIN125-1-B 6,4 | washer | steel |
| 8 | 1 | 10235 | O-Ring 5x1,5-NBR90 | O-ring | rubber |

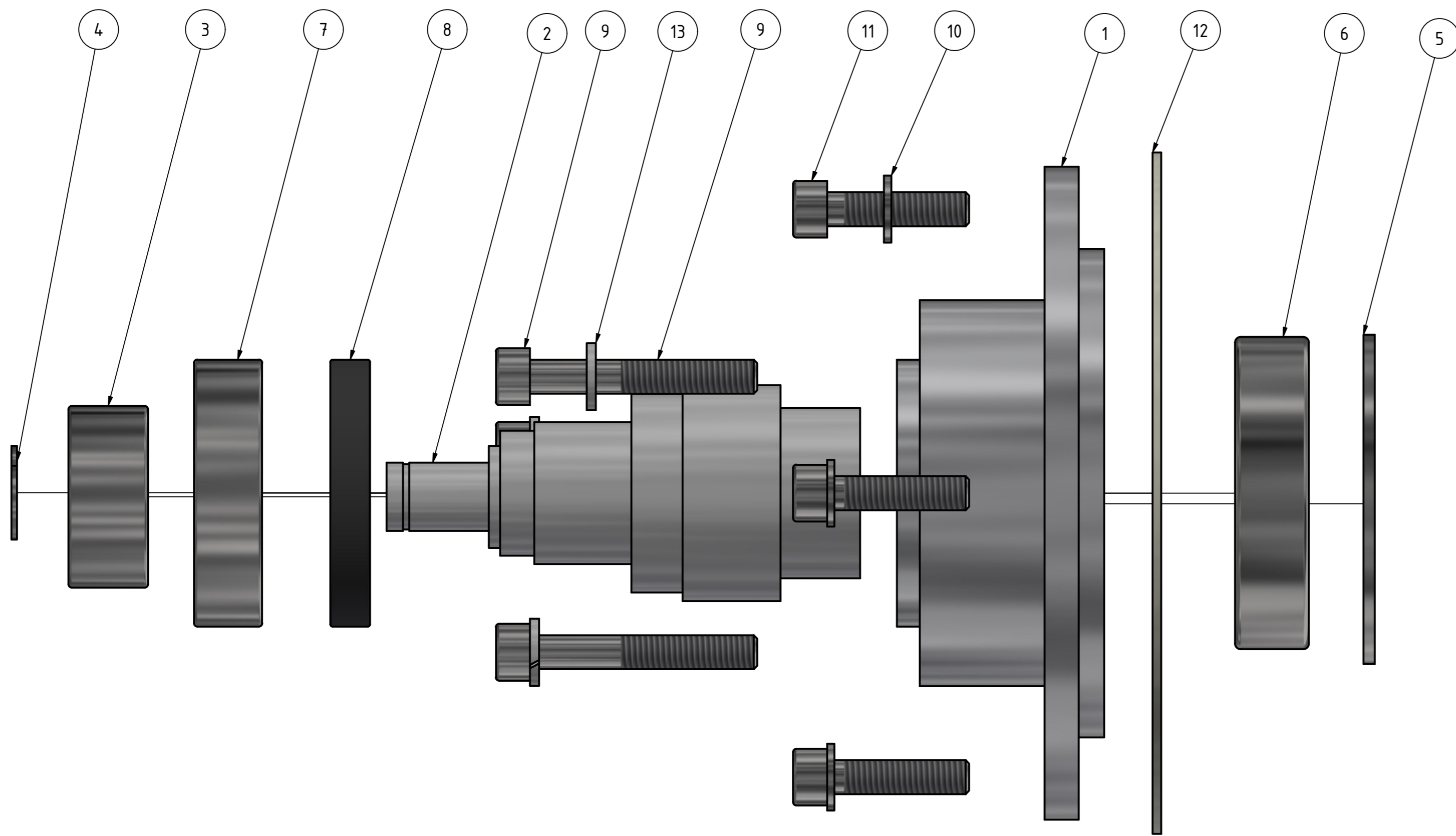
HDF1500/2000/2500
 BG Anschlussplatte Druckverstärker
 module connection plate booster
 Stand: 01.08.22 Rev.01



| BAUTEILLISTE/PARTLIST | | | | | |
|-----------------------|--------|---------------|-----------------------------------|------------------------|--------------|
| OBJEKT | ANZAHL | BAUTEILNUMMER | BESCHREIBUNG | Part-Text | Material |
| 1 | 1 | 21266 | Block HDF1-1-M27x1 | block HDF1-1-M27x1 | steel |
| 2 | 4 | 10187 | IS-Schraube ISO4762 M6x40 (10Nm) | scew (10Nm) | steel |
| 3 | 1 | 20380 | USIT Ring 6,7x11x1 | sealing ring | rubber/steel |
| 4 | 1 | | BG Tankentlastung HDF | module tank relief HDF | div |
| 4.1 | 1 | 22020 | Tankentlastung HDF | tank relief HDF | alu |
| 4.2 | 1 | 21136 | O-Ring 7x1,5-NBR90 | O-rning | rubber |
| 4.3 | 2 | 21563 | Sechskantmutter DIN934-M10 (49Nm) | nut(49Nm) | steel |
| 4.4 | 1 | 21565 | Scheibe DIN125-10,5 | washer | steel |
| 4.5 | 1 | 21564 | DR 10x18x1,0-CU | sealing ring | copper |
| 5 | 1 | | BG Kugel mit Schraube M6 | module ball and scew | steel |
| 5.1 | 1 | 10195 | Stahlkugel 4,762mm | steel ball | steel |
| 5.2 | 1 | 20442 | Sechskantschraube DIN933-M8x16 | scew | steel |
| 6 | 1 | 21007 | Manometeradapter M27x1-G12 | gauge adapter | alu |

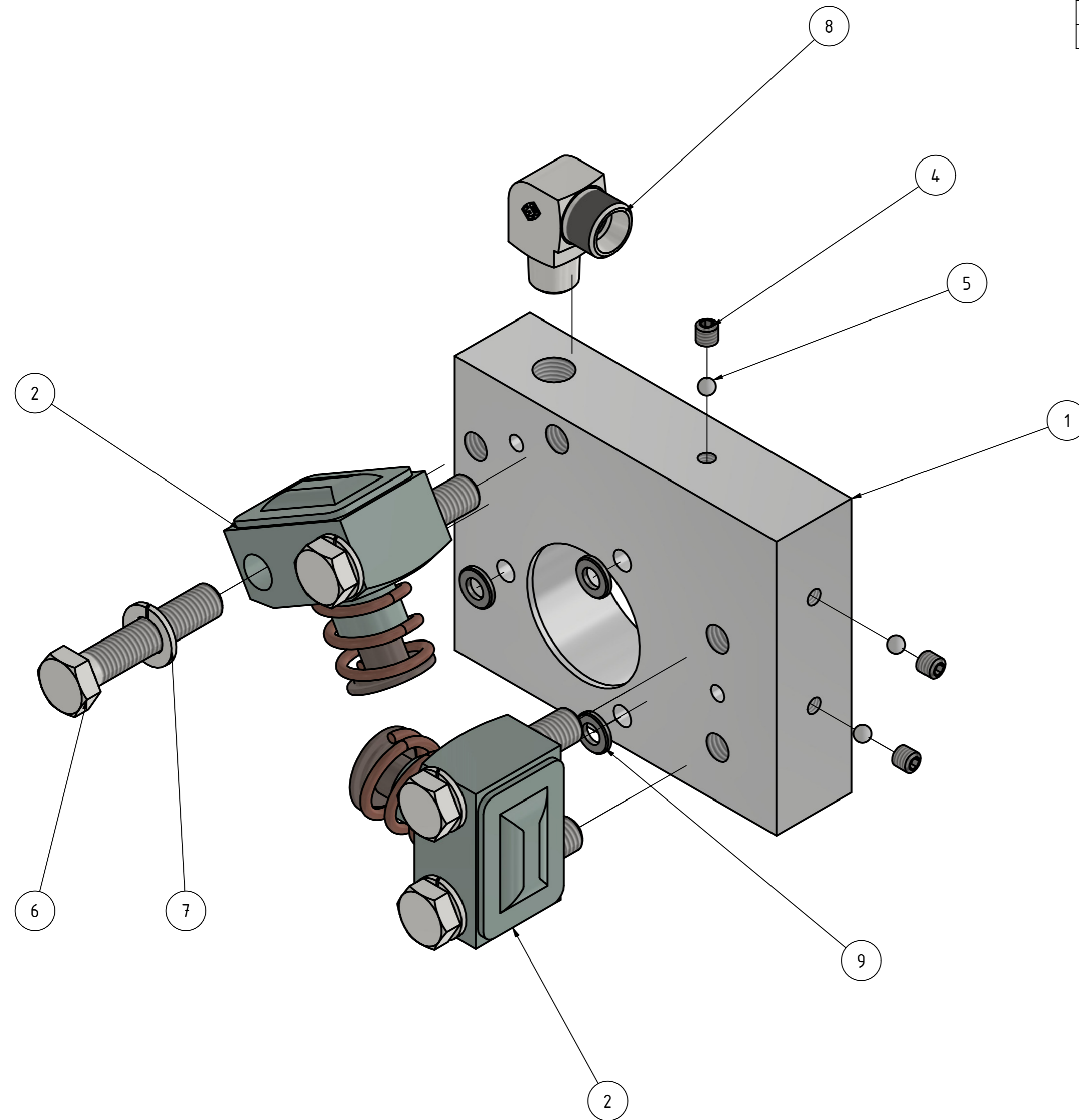
HDF 1-1
 Anschlussblock
 connection block
 Stand: 14.12.22 Rev.01

| PARTLIST | | | | | |
|----------|--------|---------|--------------|----------------------------------|--------------|
| OBJEKT | ANZAHL | Part-No | Part-Text | BESCHREIBUNG | Material |
| 1 | 1 | 20938 | Housing | KP311 Lagergehäuse | ALU |
| 2 | 1 | 20937 | Pump Shaft | KP311-50 Pumpenwelle | steel |
| 3 | 1 | 10199 | ball bearing | Kugellager 4201-ATN9 | steel |
| 4 | 1 | 10200 | circlip | Sicherungsring A12 | steel |
| 5 | 1 | 20925 | circlip | Sicherungsring I55 | steel |
| 6 | 1 | 20924 | Ball bearing | Kugellager 6006-2ZR | steel |
| 7 | 1 | 20899 | ball bearing | Kugellager 6005-2Z | steel |
| 8 | 1 | 21097 | shaft seal | Wellendichtring 35x47x7 BA | steel+rubber |
| 9 | 3 | 10187 | scew (10Nm) | IS-Schraube ISO4762 M6x40 (10Nm) | steel |
| 10 | 4 | 21766 | spring ring | Federring DIN7980-B6 | steel |
| 11 | 4 | 20444 | scew (10Nm) | IS-Schraube ISO4762-M6x25 (10Nm) | steel |
| 12 | 1 | 20020 | seal | Pappdichtung BG80 | cardboard |
| 13 | 3 | 10178 | spring ring | Federring DIN 127-A6 | steel |



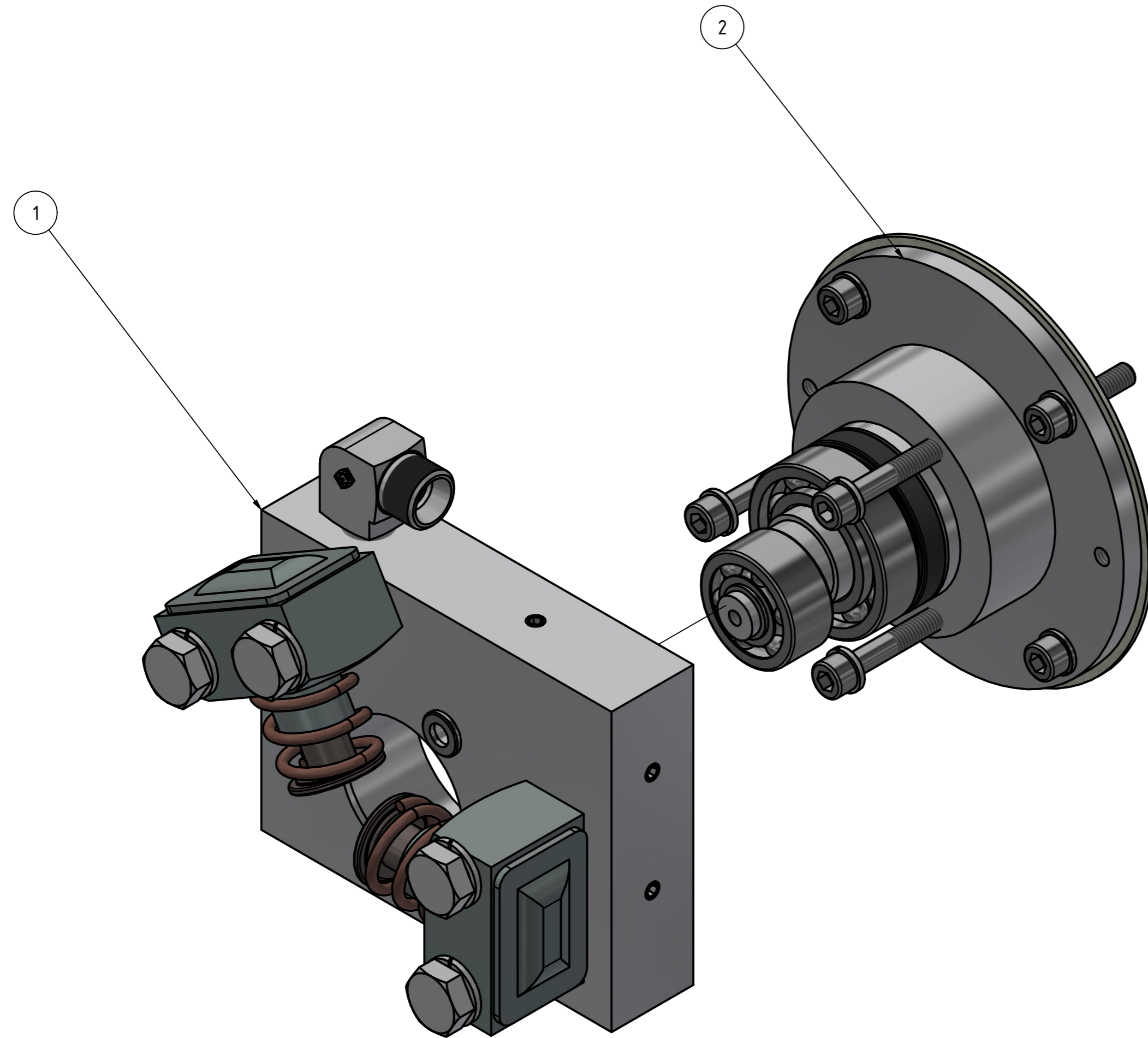
KP311-50/60
 Baugruppe Welle
 module shaft
 Stand 01.02.24 Rev. 01

| BAUTEILLISTE / PARTLIST | | | | | |
|-------------------------|--------|---------------|----------------------------------|------------------------|----------|
| OBJEKT | ANZAHL | BAUTEILNUMMER | BESCHREIBUNG | Part-Text | Material |
| 1 | 1 | 21119 | KP102 Pumpenflansch | pump body | alu |
| 2 | 2 | 20013 | PE10 Pumpenelement (55Nm) | pisten | steel |
| 3 | 3 | | BG Kugel mit Gewindestift M6 | module scew+steel ball | steel |
| 4 | 1 | 10196 | Gewindestift M6 | scew | steel |
| 5 | 1 | 10195 | Stahlkugel 4,762mm | steel ball | steel |
| 6 | 4 | 10177 | SK-Schraube DIN931-M10x50 (55Nm) | scew (55Nm) | steel |
| 7 | 4 | 10176 | Federring DIN127-B10 | spring ring | steel |
| 8 | 1 | 20033 | WE10LRCFX (2-3 Umdr.) | screw connection | steel |
| 9 | 3 | 10222 | Scheibe DIN125-1-B 6,4 | washer | steel |



HDF1500/2000/2500-115/230V
 pump steering
 Pumpensteuerung
 Stand: 01.02.24 Rev.02

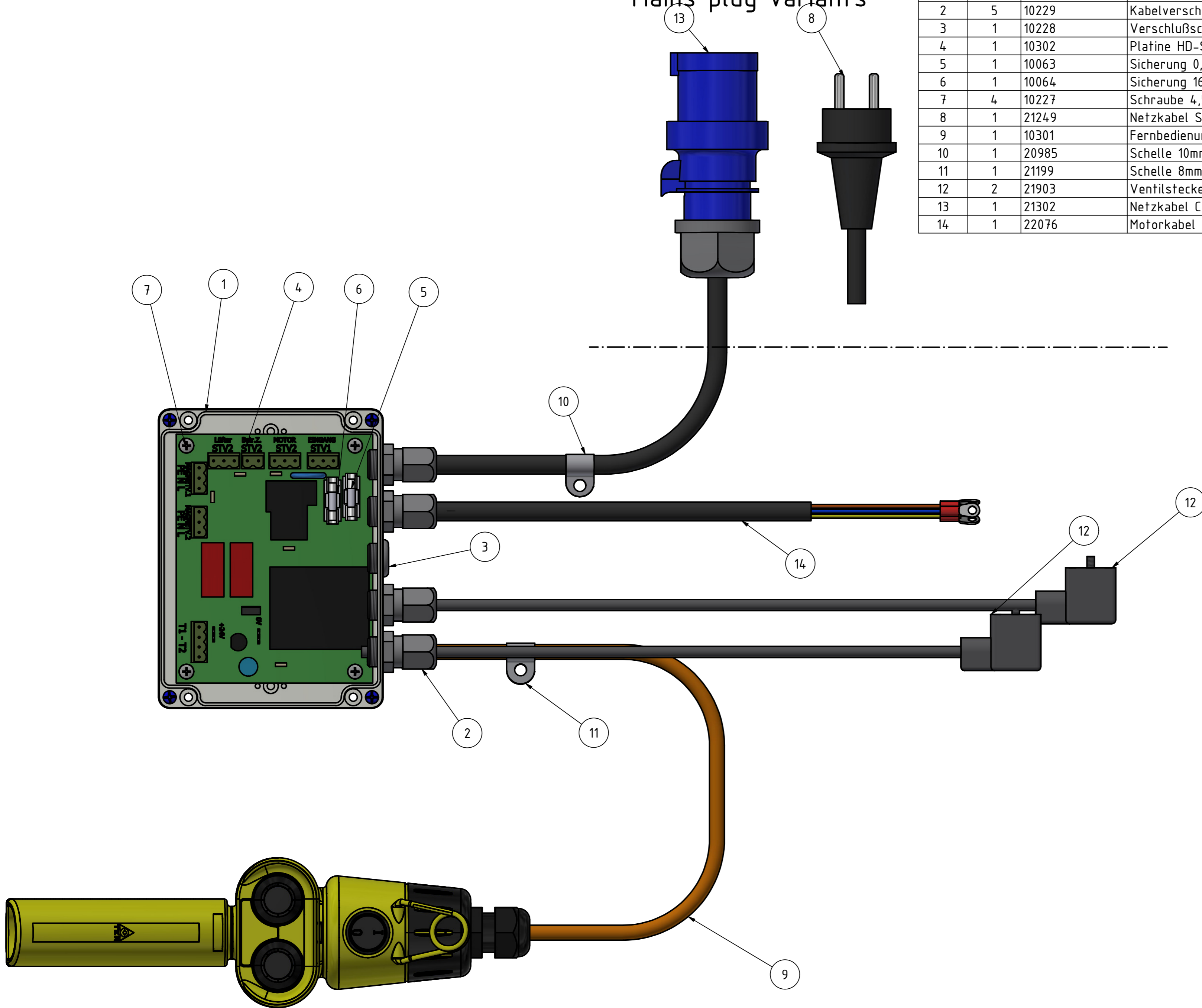
| BAUTEILLISTE/PARTLIST | | | | | |
|-----------------------|--------|---------------|----------------------------|-------------------------|----------|
| OBJEKT | ANZAHL | BAUTEILNUMMER | BESCHREIBUNG | Part-Text | Material |
| 1 | 1 | | HDF2000 BG Pumpensteuerung | module HDF2000 steering | div |
| 2 | 1 | | KP311-50 BG Welle | module KP311 shaft | div |



HDF1500/2000/2500
 module pompe
 Baugruppe Pumpe
 Stand: 02.02.24 Rev.02

Netzsteckervarianten Mains plug variants

| BAUTEILLISTE/PARTLIST | | | | | |
|-----------------------|--------|---------------|---------------------------------|----------------------------|--------------|
| OBJEKT | ANZAHL | BAUTEILNUMMER | BESCHREIBUNG | Part-Text | Material |
| 1 | 1 | 10014 | Gehäuse T2381 | E-Box | plastic |
| 2 | 5 | 10229 | Kabelverschraubung M16x1,5 grau | kable scew | plastic |
| 3 | 1 | 10228 | Verschlußschraube M16x1,5 grau | plug | plastic |
| 4 | 1 | 10302 | Platine HD-Serie 230V-50Hz | Electronic board | electrical |
| 5 | 1 | 10063 | Sicherung 0,5A T 250V | fuse 0,5AT250V | electrical |
| 6 | 1 | 10064 | Sicherung 16A T 250V | fuse 16AT250V | electrical |
| 7 | 4 | 10227 | Schraube 4,5x7,8 | scew | steel |
| 8 | 1 | 21249 | Netzkabel Schuko 230V/16A | Power cord Schuko 230V/16A | electrical |
| 9 | 1 | 10301 | Fernbedienung FB HD 5m | remote control | electrical |
| 10 | 1 | 20985 | Schelle 10mm | clamp 10 | steel/rubber |
| 11 | 1 | 21199 | Schelle 8mm | cable clamp 8 | steel/rubber |
| 12 | 2 | 21903 | Ventilstecker mit Kabel 47 | Valve plug with cable | electrical |
| 13 | 1 | 21302 | Netzkabel CEE 230V/16A | Power cord CEE 230V/16A | electrical |
| 14 | 1 | 22076 | Motorkabel HDF-640lg | motor cable | electrical |



HDF-230V
 Elektrosteuerung
 electric control
 Stand: 17.01.24 Rev.03